

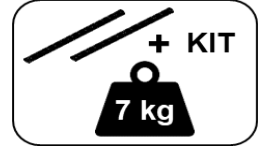
FARAD[®] BARS

made in italy

Evolution Srl unipersonale, Via A. De Gasperi 26, 12040 Sanfrè (CN) Italy

www.faradworld.com

+39 0172 58575



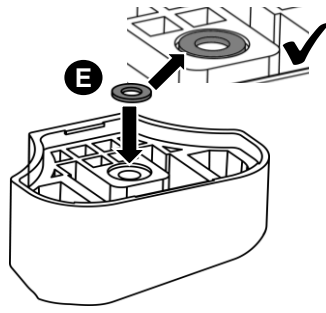
Instruction manual



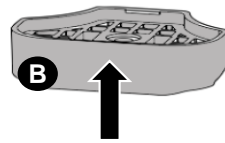
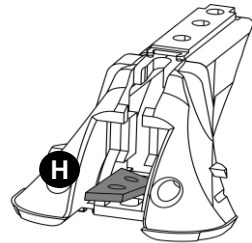
KIT PR27 - 4

- | | | | | | |
|----|--|---------------|---------|--|--|
| A1 | | | | | |
| A2 | | COD. 91141/57 | Nr. 1+1 | | |
| B | | COD. 91141/59 | Nr. 2 | | |
| C | | | Nr. 4 | | |
| D | | TCEI 8 x 18 | Nr. 4 | | |
| E | | M8 | Nr. 8 | | |
| F | | M8 | Nr. 4 | | |
| G | | | Nr. 4 | | |
| H | | | Nr. 4 | | |
| I | | M8 | Nr. 4 | | |
| L | | M8 | Nr. 4 | | |
| M | | | Nr. 1 | | |
| N | | M12 | Nr. 4 | | |
| Y | | | Nr. 4 | | |

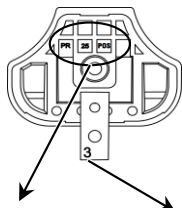
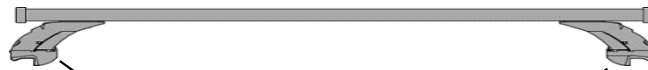
1



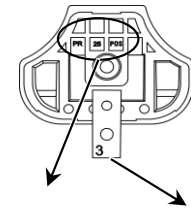
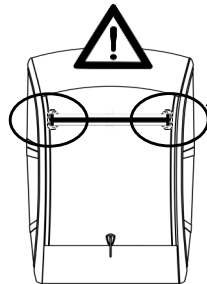
2



FRONT BAR

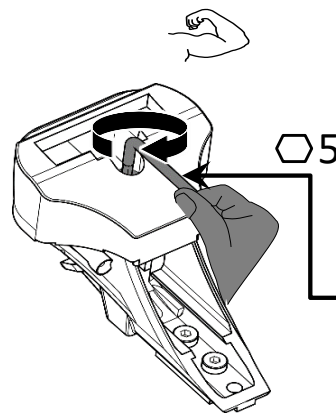
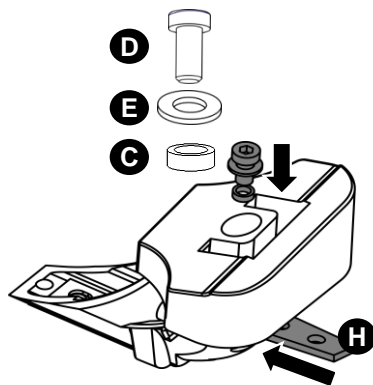


PR 25 POS + 3



PR 25 POS + 3

3



KIT LINK



OR

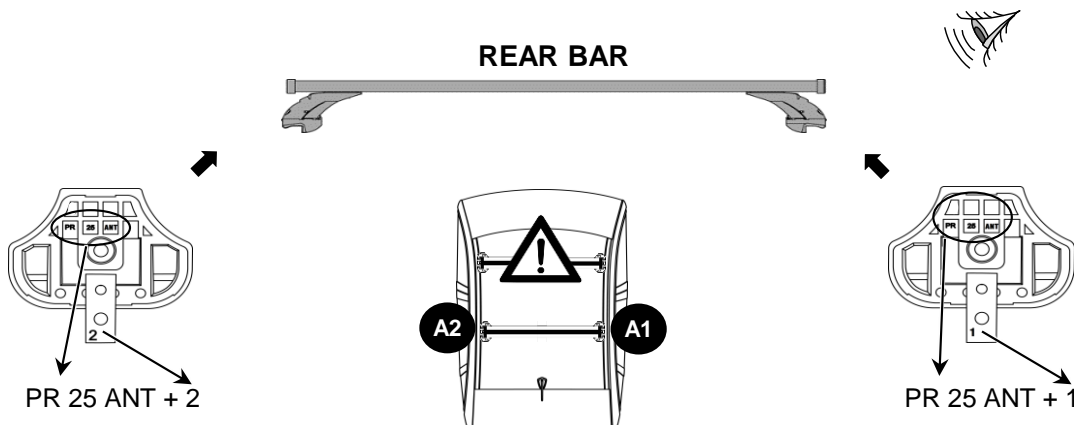


KIT COMPACT

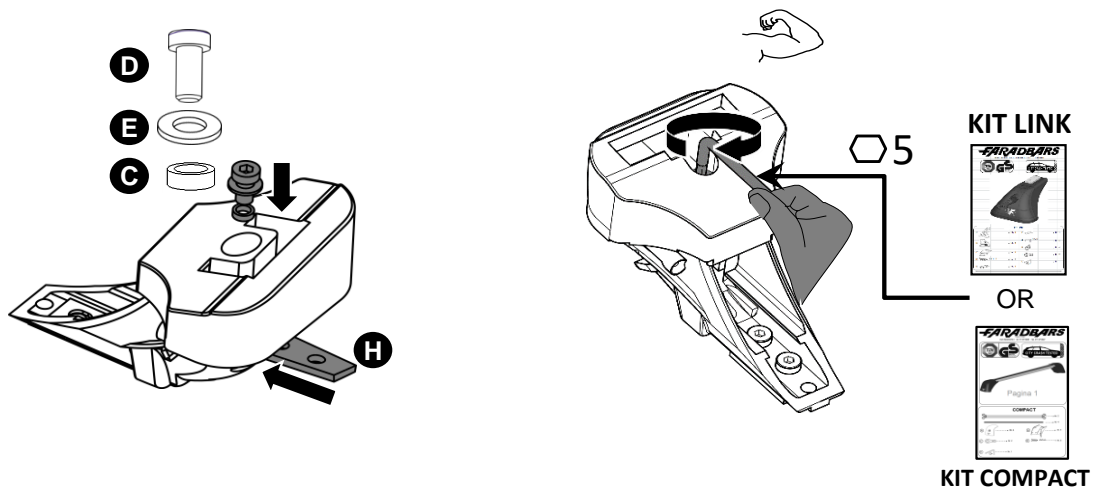
4



REAR BAR

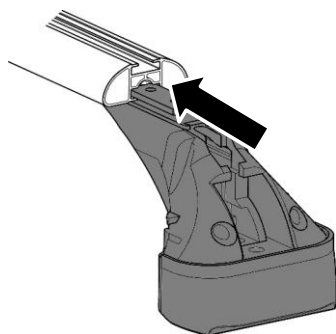


5

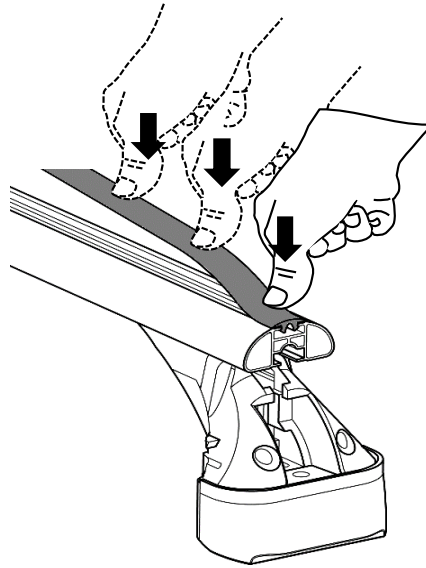


6


NO COMPACT

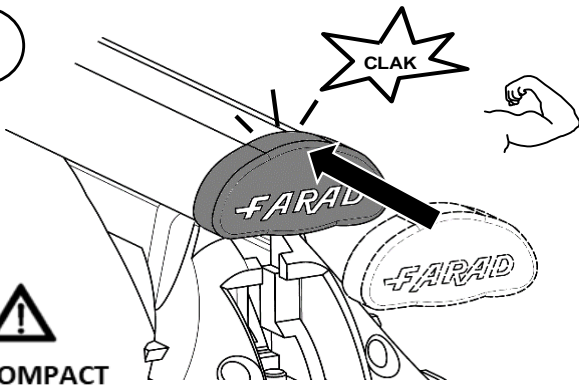


7



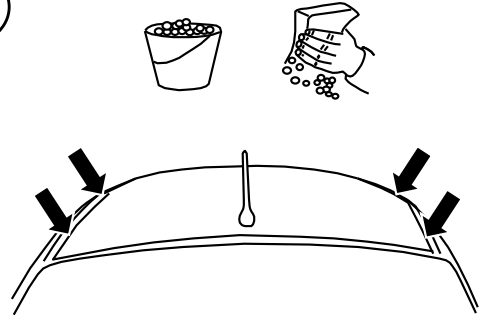
NO COMPACT

8



NO COMPACT

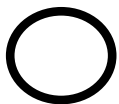
9



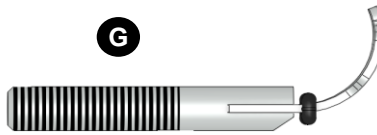
10

X4

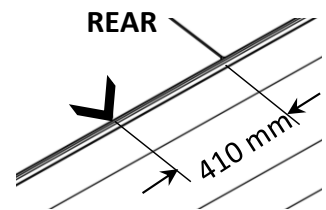
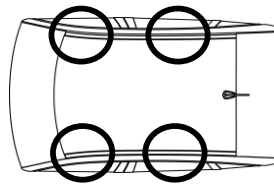
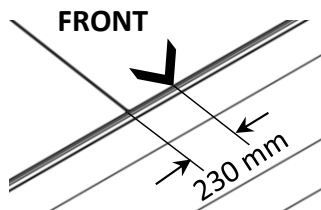
Y



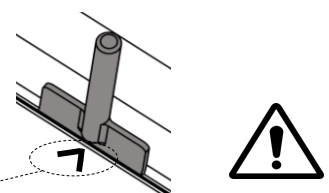
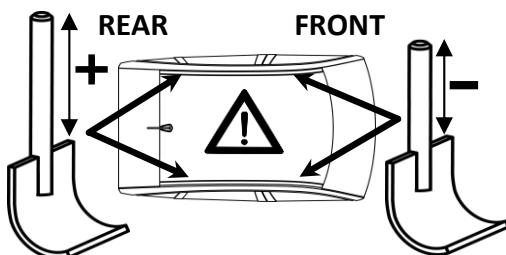
G



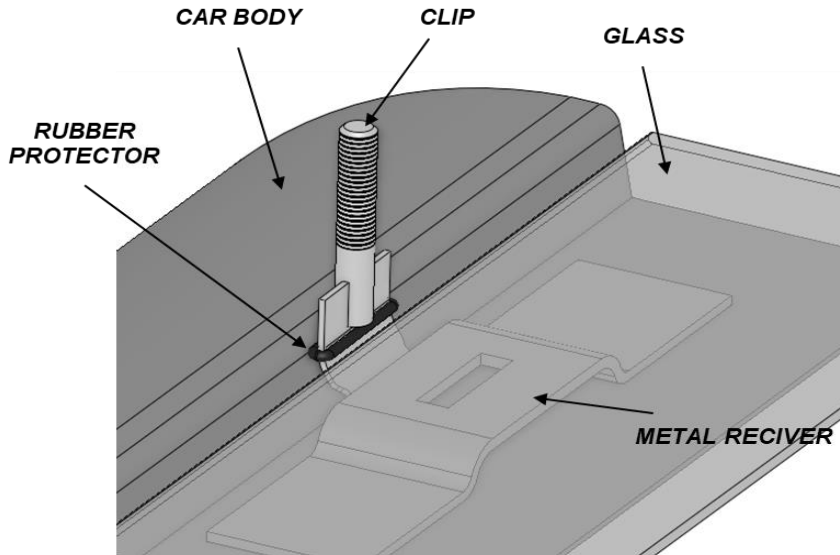
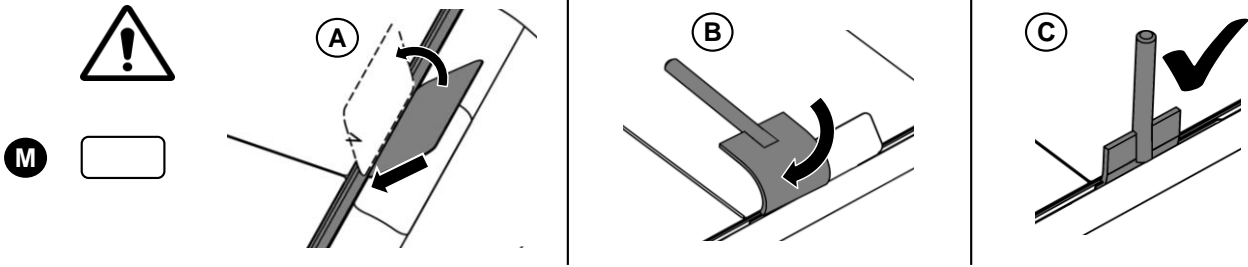
11



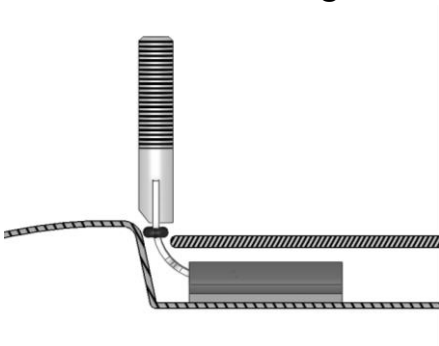
FAILURE OBSERVE THIS NOTE CAUSES GLASS BREAKAGE



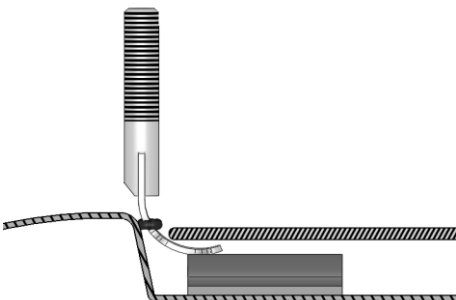
SUNROOF SIGN



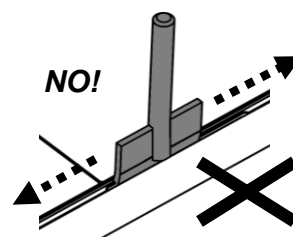
INSIDE RECIVER
Correct fitting



OUTSIDE RECIVER
Wrong fitting

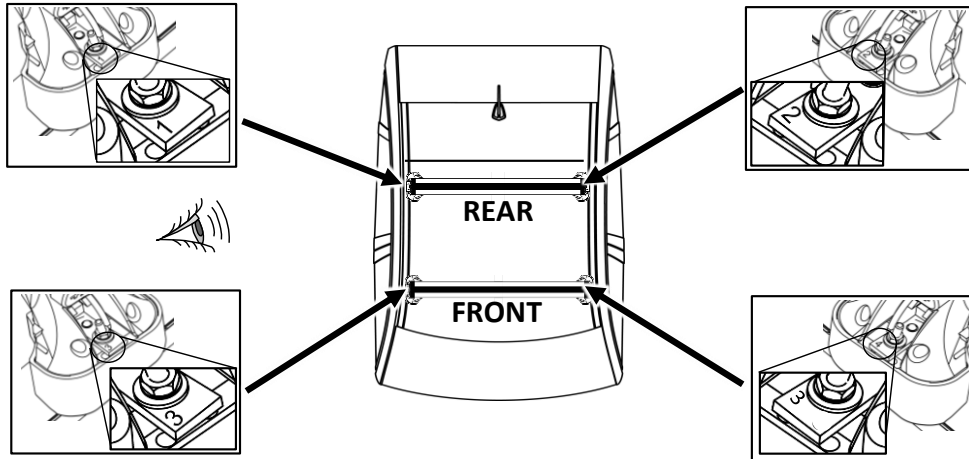
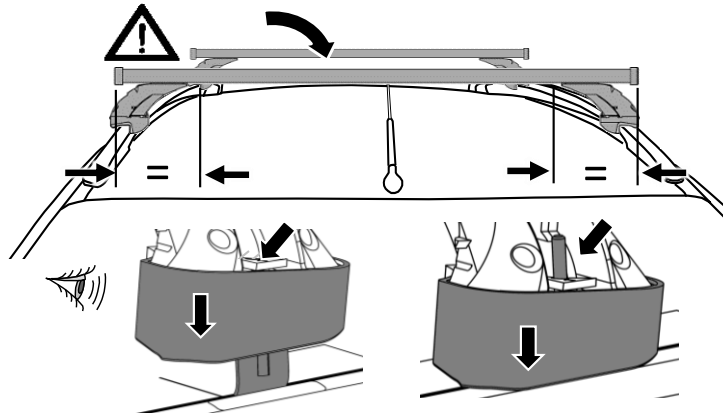


Make sure the clip is well engaged inside the metal receiver under the glass. Clip well fitted must not be able to move back and forth. Repeat this check controll at all 4 fix points

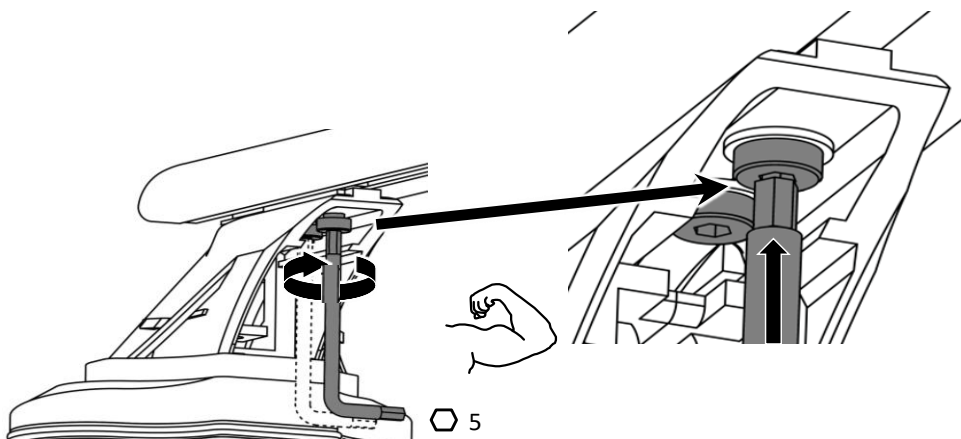
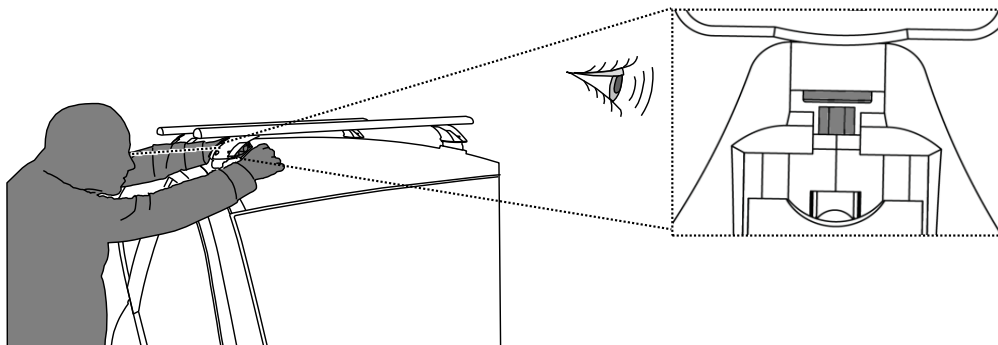


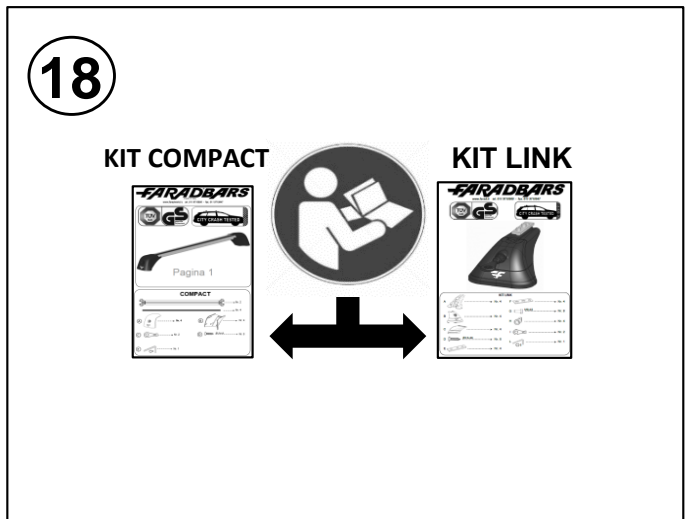
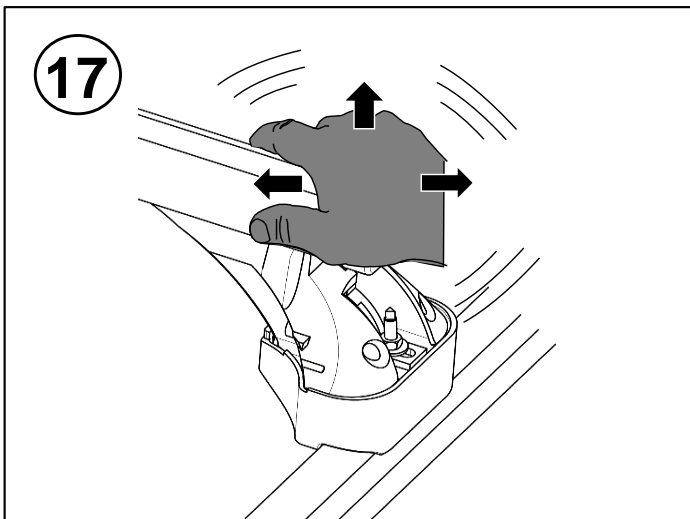
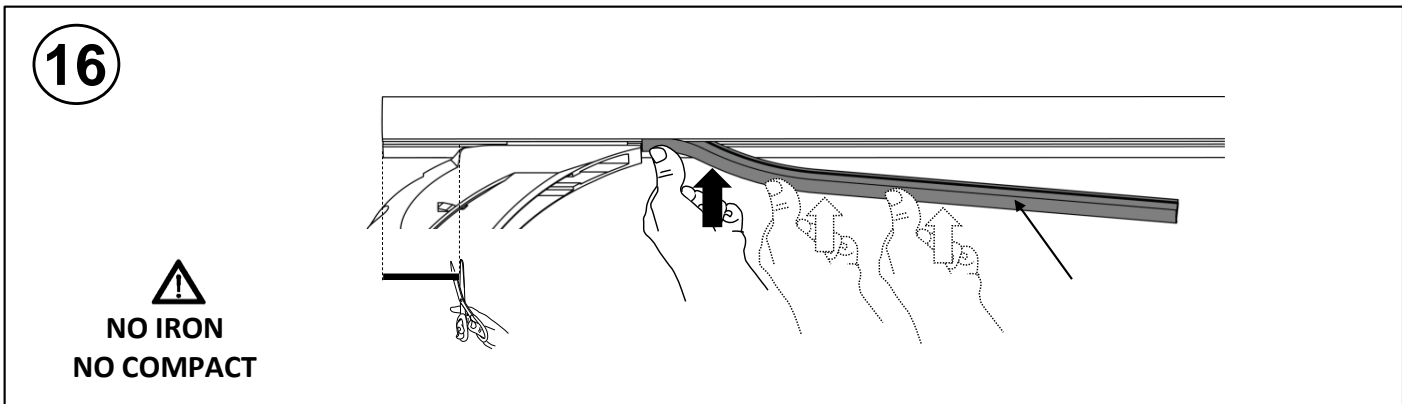
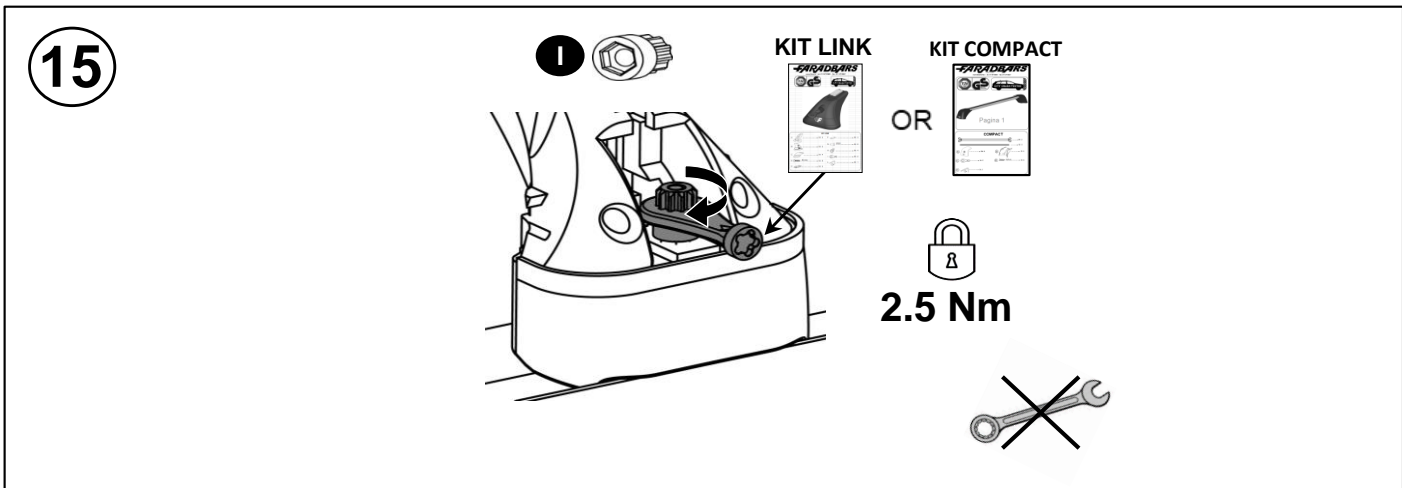
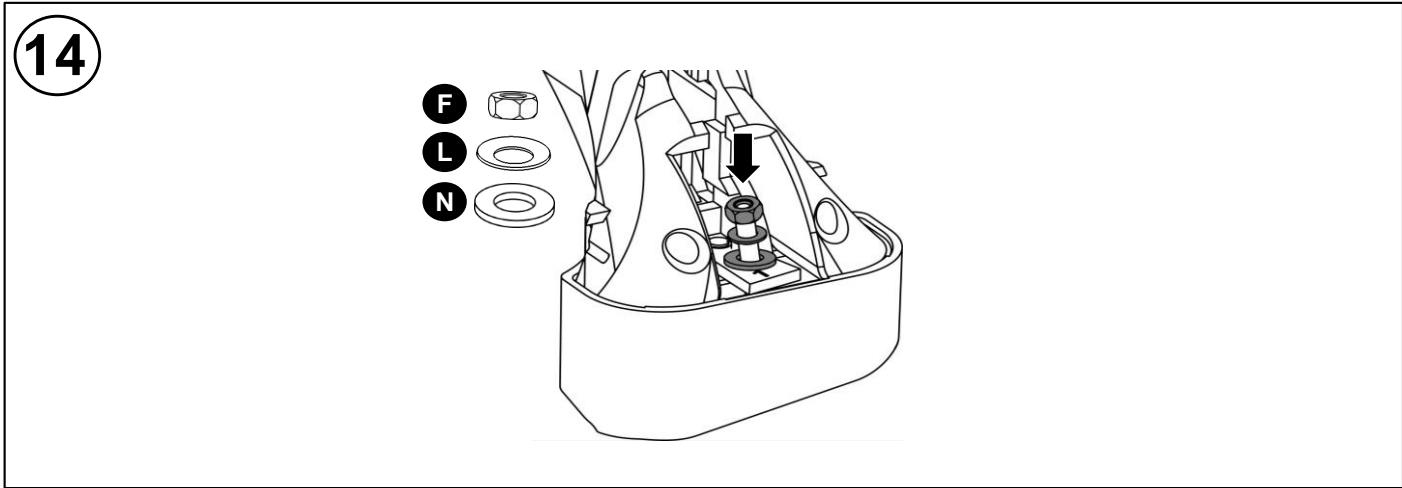
FAILURE OBSERVE THIS NOTE CAUSES GLASS BREAKAGE

12



13





Security Regulations

